

FLT-CP-PLUS-3C-350 - Type 1+2 combined lightning current and surge arrester



2882653

<https://www.phoenixcontact.com/fi/tuotteet/2882653>

Huomioi, että tässä ilmoitetut tiedot ovat peräisin online-luettelosta. Täydelliset tiedot löydät käyttöohjeesta. Internet-latausten yleiset käyttöehdot ovat voimassa.



Pluggable lightning current arrester, in acc. with type 1/class I/B for 3-phase power supply networks with combined PE and N (L1, L2, L3, PEN) installed in one cable.

FLT-CP-PLUS-3C-350 - Type 1+2 combined lightning current and surge arrester



2882653

<https://www.phoenixcontact.com/fi/tuotteet/2882653>

Tekniset tiedot

Product properties

Product type	Combination type
IEC test classification	I / II
	T1 / T2
EN type	T1 / T2
IEC power supply system	TN-C
Type	DIN rail module, two-section, divisible
Number of positions	3
Surge protection fault message	Optical, remote indicator contact

Insulation characteristics

Overvoltage category	III
Pollution degree	2

Electrical properties

Nominal frequency f_N	50 Hz (60 Hz)
-------------------------	---------------

Indicator/remote signaling

Connection name	Remote fault indicator contact
Switching function	Changeover contact
Operating voltage	12 V AC ... 250 V AC
	125 V DC (200 mA DC)
Operating current	10 mA AC ... 1 A AC
	1 A DC (30 V DC)

Connection data

Connection method	Screw terminal blocks
Screw thread	M5
Tightening torque	4.5 Nm
Stripping length	18 mm
Conductor cross section flexible	2.5 mm ² ... 25 mm ²
Conductor cross section rigid	2.5 mm ² ... 35 mm ²
Conductor cross section AWG	13 ... 2

Remote fault indicator contact

Connection method	Plug-in/screw connection via COMBICON
Screw thread	M2
Tightening torque	0.25 Nm
Stripping length	7 mm
Conductor cross section flexible	0.14 mm ² ... 1.5 mm ²
Conductor cross section rigid	0.14 mm ² ... 1.5 mm ²

FLT-CP-PLUS-3C-350 - Type 1+2 combined lightning current and surge arrester

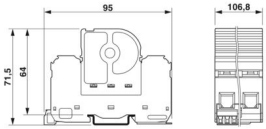


2882653

<https://www.phoenixcontact.com/fi/tuotteet/2882653>

Conductor cross section AWG	28 ... 16
-----------------------------	-----------

Dimensions

Dimensional drawing	
Width	106.8 mm
Height	95 mm
Depth	71.5 mm
Horizontal pitch	6 Div.

Material specifications

Flammability rating according to UL 94	V-0
CTI value of material	600
Insulating material	PA 6.6/PBT
Material group	I
Housing material	PBT

Mechanical properties

Mechanical data

Open side panel	No
-----------------	----

Protective circuit

Mode of protection	L-PEN
Direction of action	3L-N/PE
Nominal voltage U_N	240/415 V AC (TN-C)
Nominal frequency f_N	50 Hz (60 Hz)
Maximum continuous voltage U_C	350 V AC
Rated load current I_L	125 A (< 55 °C)
Nominal discharge current I_n (8/20) μ s	25 kA
Maximum discharge current I_{max} (8/20) μ s	50 kA
Impulse discharge current (10/350) μ s, charge	12.5 As
Impulse discharge current (10/350) μ s, specific energy	160 kJ/ Ω
Impulse discharge current (10/350) μ s, peak value I_{imp}	25 kA
Total discharge current I_{total} (10/350) μ s	75 kA
Follow current interrupt rating I_{fi}	50 kA
Short-circuit current rating I_{SCCR}	50 kA
Voltage protection level U_p	≤ 1.5 kV
Residual voltage U_{res}	≤ 1.5 kV (at I_n)
Front of wave sparkover voltage at 6 kV (1.2/50) μ s	≤ 1.5 kV

FLT-CP-PLUS-3C-350 - Type 1+2 combined lightning current and surge arrester



2882653

<https://www.phoenixcontact.com/fi/tuotteet/2882653>

TOV behavior at U_T	415 V AC (5 s / withstand mode)
	457 V AC (120 min / withstand mode)
Response time t_A	≤ 100 ns
Max. backup fuse with V-type through wiring	125 A (gG)
Max. backup fuse with branch wiring	315 A (gG)

Environmental and real-life conditions

Ambient conditions

Degree of protection	IP20 (only when all terminal points are used)
Ambient temperature (operation)	-40 °C ... 80 °C
Ambient temperature (storage/transport)	-40 °C ... 80 °C
Altitude	≤ 2000 m (amsl)
Permissible humidity (operation)	5 % ... 95 %
Shock (operation)	25g (Half-sine / 11 ms / 3x ±X, ±Y, ±Z)
Vibration (operation)	5g (5 - 500 Hz/2.5 h/X, Y, Z)

Approvals

UL specifications

Maximum continuous operating voltage MCOV (L-L)	528 V AC
Maximum continuous operating voltage MCOV (L-G)	264 V AC
Nominal discharge current I_n (L-L)	20 kA
Nominal discharge current I_n (L-G)	20 kA
Mode of protection	L-L
	L-G
Nominal voltage	240/415 V AC
Power distribution system	Delta
Nominal frequency	50/60 Hz
Measured limiting voltage MLV (L-L)	2450 V
Measured limiting voltage MLV (L-G)	1350 V
Follow current (N-G)	10 kA (264 V AC)
SPD Type	4CA

UL indicator/remote signaling

Operating voltage	125 V AC
AC operating current	1 A AC

UL connection data

Tightening torque	40 lb _F -in.
Conductor cross section AWG	12 ... 2

Standards and regulations

Standards/specifications	IEC 61643-11
Note	2011

FLT-CP-PLUS-3C-350 - Type 1+2 combined lightning current and surge arrester



2882653

<https://www.phoenixcontact.com/fi/tuotteet/2882653>

Standards/specifications	EN 61643-11
Note	2012

Mounting

Mounting type	DIN rail: 35 mm
---------------	-----------------

Phoenix Contact 2025 © – Kaikki oikeudet pidätetään.

<https://www.phoenixcontact.com>

PHOENIX CONTACT OY

Niittytie 11

FI-01300 Vantaa

+358 (0)9 350 9020

myynti@phoenixcontact.com